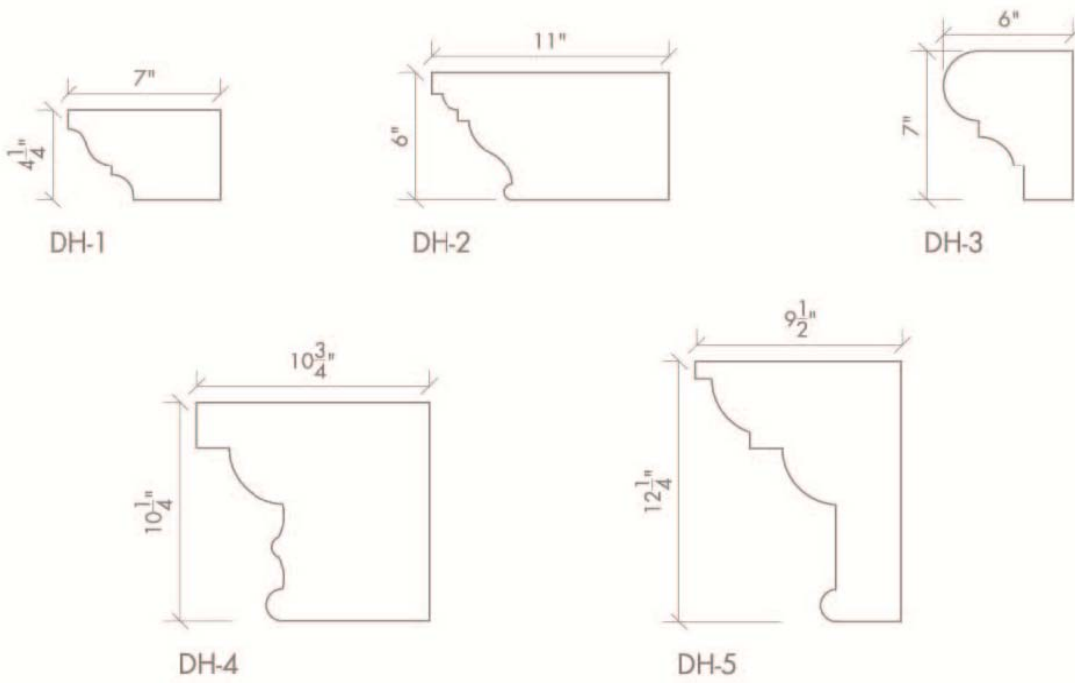


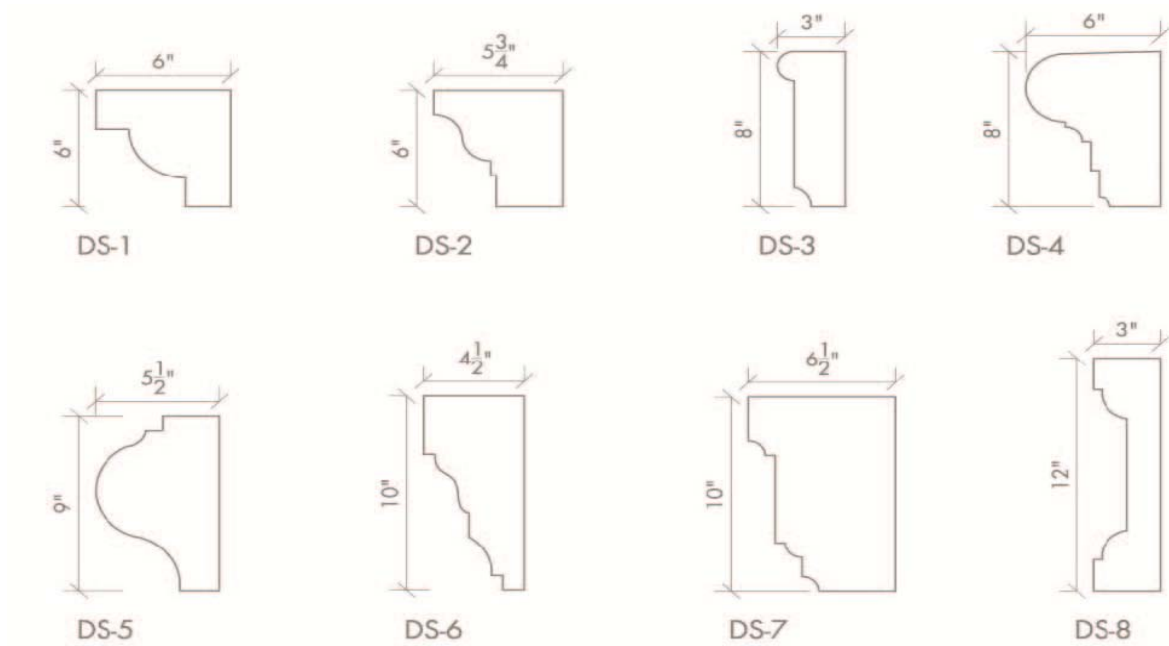
DOOR HEADERS

OVERALL DIMENSIONS



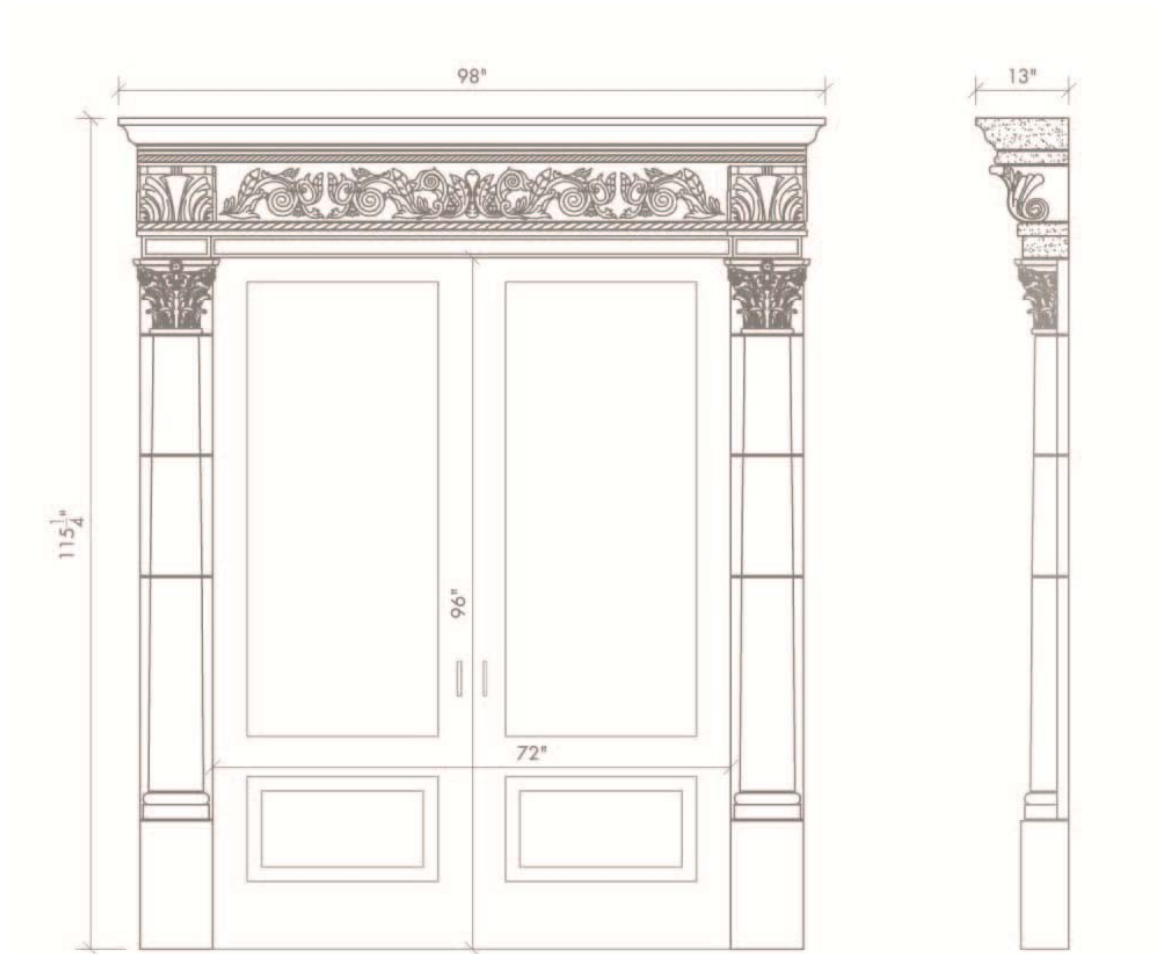
DOOR PROFILES

OVERALL DIMENSIONS



710 DOOR SURROUND

OVERALL DIMENSIONS



Additional Information: Architectural elements are available in 10 natural stones and hand carved with a Chateau (antiqued) or Classic (smooth) finish. Stone is a product of nature, therefore, its tone and color will vary. These drawings depict our standard designs with standard dimensions, and may be altered to better suit your specific project requirements. Most elements may be mixed and matched, creating designs more tailored to your needs. Custom designs are always welcome. Please contact a design or sales associate with any questions or for further details.

714 DOOR SURROUND

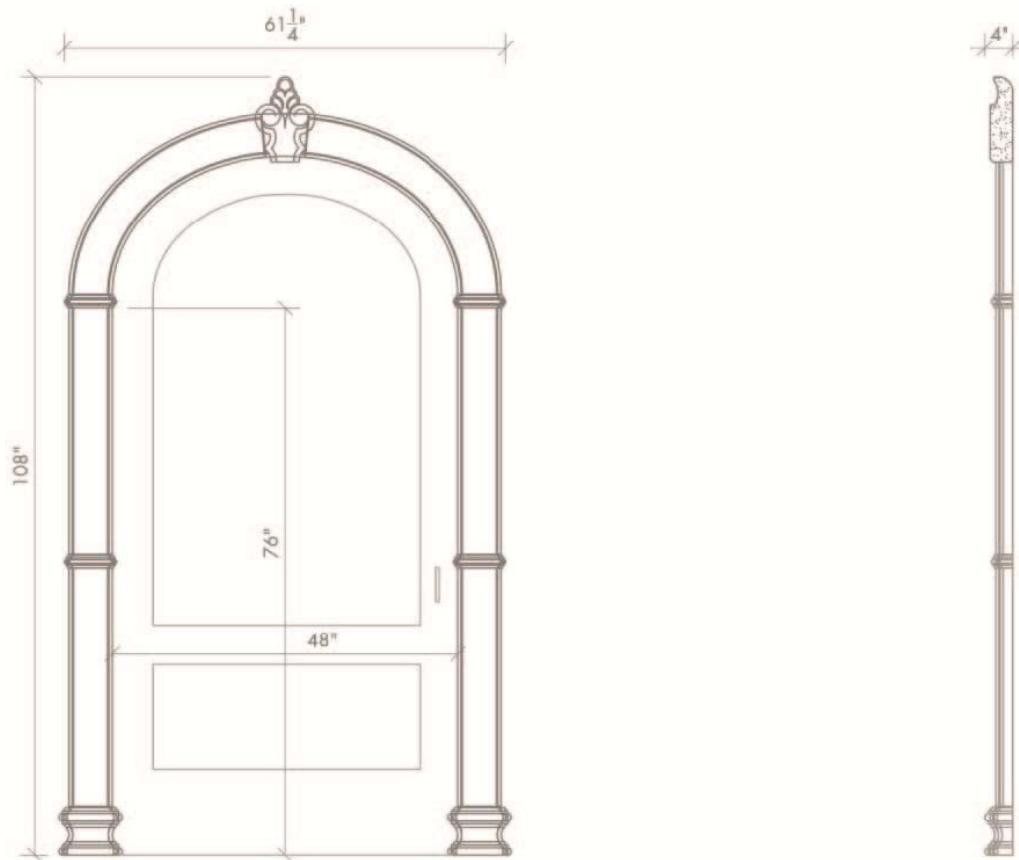
OVERALL DIMENSIONS



Additional Information: Architectural elements are available in 10 natural stones and hand carved with a Chateau (antiqued) or Classic (smooth) finish. Stone is a product of nature, therefore, its tone and color will vary. These drawings depict our standard designs with standard dimensions, and may be altered to better suit your specific project requirements. Most elements may be mixed and matched, creating designs more tailored to your needs. Custom designs are always welcome. Please contact a design or sales associate with any questions or for further details.

718 DOOR SURROUND

OVERALL DIMENSIONS



Additional Information: Architectural elements are available in 10 natural stones and hand carved with a Chateau (antiqued) or Classic (smooth) finish. Stone is a product of nature, therefore, its tone and color will vary. These drawings depict our standard designs with standard dimensions, and may be altered to better suit your specific project requirements. Most elements may be mixed and matched, creating designs more tailored to your needs. Custom designs are always welcome. Please contact a design or sales associate with any questions or for further details.

722 DOOR SURROUND

OVERALL DIMENSIONS



Additional Information: Architectural elements are available in 10 natural stones and hand carved with a Chateau (antiqued) or Classic (smooth) finish. Stone is a product of nature, therefore, its tone and color will vary. These drawings depict our standard designs with standard dimensions, and may be altered to better suit your specific project requirements. Most elements may be mixed and matched, creating designs more tailored to your needs. Custom designs are always welcome. Please contact a design or sales associate with any questions or for further details.

724 DOOR SURROUND

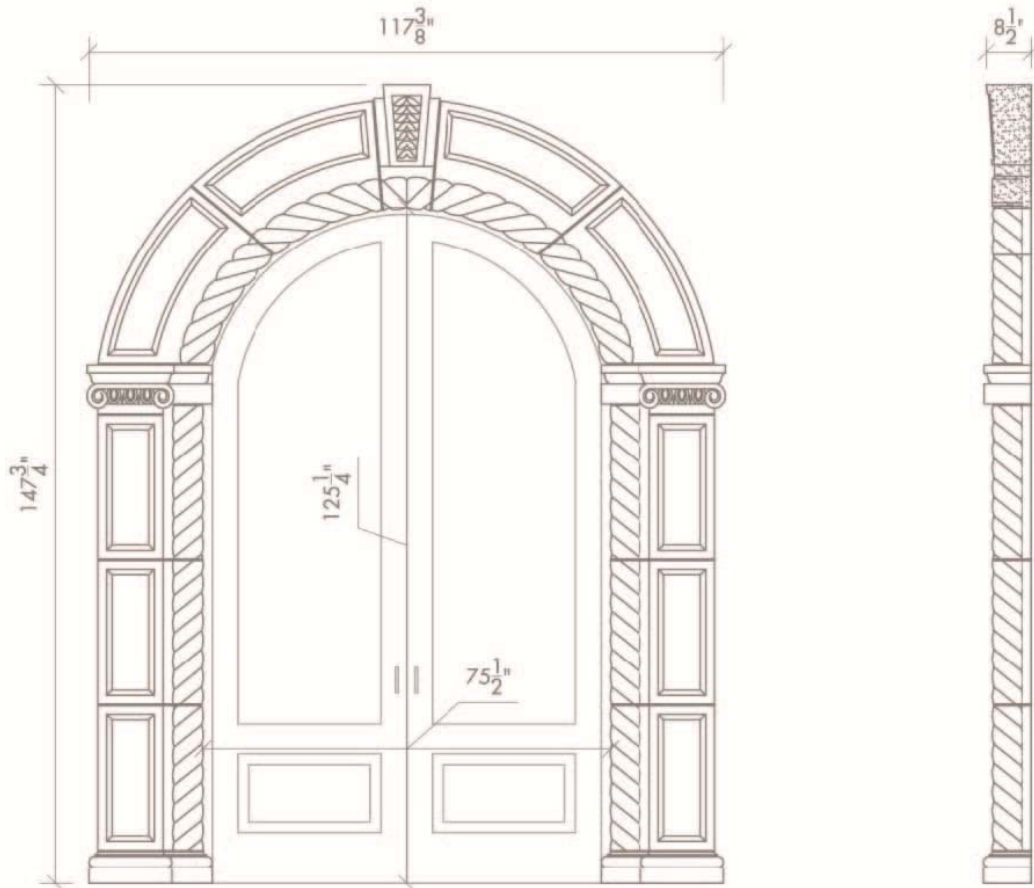
OVERALL DIMENSIONS



Additional Information: Architectural elements are available in 10 natural stones and hand carved with a Chateau (antiqued) or Classic (smooth) finish. Stone is a product of nature, therefore, its tone and color will vary. These drawings depict our standard designs with standard dimensions, and may be altered to better suit your specific project requirements. Most elements may be mixed and matched, creating designs more tailored to your needs. Custom designs are always welcome. Please contact a design or sales associate with any questions or for further details.

726 DOOR SURROUND

OVERALL DIMENSIONS



Additional Information: Architectural elements are available in 10 natural stones and hand carved with a Chateau (antiqued) or Classic (smooth) finish. Stone is a product of nature, therefore, its tone and color will vary. These drawings depict our standard designs with standard dimensions, and may be altered to better suit your specific project requirements. Most elements may be mixed and matched, creating designs more tailored to your needs. Custom designs are always welcome. Please contact a design or sales associate with any questions or for further details.

728 DOOR SURROUND

OVERALL DIMENSIONS



Additional Information: Architectural elements are available in 10 natural stones and hand carved with a Chateau (antiqued) or Classic (smooth) finish. Stone is a product of nature, therefore, its tone and color will vary. These drawings depict our standard designs with standard dimensions, and may be altered to better suit your specific project requirements. Most elements may be mixed and matched, creating designs more tailored to your needs. Custom designs are always welcome. Please contact a design or sales associate with any questions or for further details.